



# 1 Channel 10/100M PoE Extender

Compact  
Size

UTP  
Extend  
-400m

6KV  
Lightning Protection



## PoE-EX01

### Key Features:

- Automatically detects and protects PoE equipments from being damaged by incorrect installation
- Extends the range of PoE to 100 meters (328ft.)
- Power from PoE PSE switch, no local power required
- IEEE 802.3af/at Power over Ethernet compliant
- Plug and Play
- No external power cable required for installation

### Long Distance High Power PoE and Gigabit Data Extension Solution

The POE-EX01 from Benchu Group is a newly designed simple device which extends both the reach of Ethernet Data and IEEE 802.3at / 802.3af Power over Ethernet over the standard 100m (328 ft.) CAT. 5/5e/6 UTP cable to 200m, 300m, 400m and maximum 500m.

Currently, PoE supported networking devices such as PoE IP Cameras, PoE Wireless Access Points and PoE IP Phones have become the mainstream of network deployment because of the convenience of easy installation regardless of additional power supply. However, limited by the UTP cable specifications, only up to 100 meters (328 ft.) cable could be applied for IP-Based and PoE powered devices (PD) installation. Therefore, the POE-EX01 is designed as the repeater to forward both Ethernet data and high power PoE power and thus extend the range of PoE installation. By just plug and play without additional power supply and set up, one single POE-EX01 can increase the PoE range to 200m. By daisy-chaining multiple PoE-EX01, it offers you great flexibility to extend the distance of PoE network to triple, quadruple further in length or more.

### Surge Protection

This PoE Extender is based on the IEC61643-21:2000 standard, Reaching 6KV surge protection, the PoE ports own the capacity to keep the PoE Extender from lightning strikes and other electrical surges, offering reliable performance even in some harsh environments.

### Easy Cabling Installation

Providing high power PoE and Ethernet data extension ability, the POE-EX01 is an ideal solution for service providers, campuses and public areas networking applications which require PoE deployment of wireless access points, IP-Based surveillance or IP phones in any places. It enables you to centrally manage the power easily, efficiently and cost effectively. The POE-EX01 offers a cost effective and quick solution to double the standard range of PoE from 100 to 200 meters

# PoE-EX01

## 1 Channel 10/100M PoE Extender

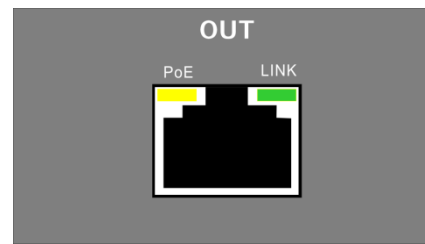
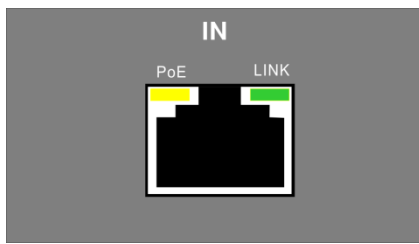
### Technical Datasheet

| Model   | PoE-EX01  |
|---|---|
| <b>Hardware Specifications</b>                  |   |
| Interface                                       | PoE in Port: 1 x 10/100BASE-T Ethernet POE PD In<br>PoE out Port: 1x 10/100BASE-T Ethernet POE PSE Out  |
| LED Indicator                                   | Link/ACT  |
| Switch Architecture                             | Store-and-Forward switch architecture   |
| MAC Address Table                               | 2K MAC address table with auto learning function  |
| Network Cable                                   | UTP cat 5 or abover   |
| Backplane bandwidth                             | 1Gbps   |
| Packet forwarding rate                          | 0.15Mpps @ 64Bytes  |
| Flow Control                                    | IEEE 802.3x pause frame for full duplex<br>Back pressure for half duplex  |
| ESD Protection                                  | Air 8KV DC    Contact 6KV DC  |
| Dimensions (W x D x H)                          | 75 x 36 x 26 mm    (2.95in x 1.42n x 0.95in)  |
| Weight  | 0.12kg  |
| <b>Power over Ethernet (PoE) Specifications</b> |   |
| PoE Standard                                    | PoE in Port: IEEE 802.3af/at PoE PD<br>Per PoE out Port: EEE 802.3af/at PoE PSE   |
| PoE Power                                       | PoE in Port: 48~56V DC, max. 30 watts<br>Per PoE out Port: 48~56V DC, max. 28 watts   |
| Power Pin Assignment                            | 1/2(-), 3/6(+),   |
| PoE Power Budget                                | 30W   |
| <b>Standards Conformance</b>                    |   |
| Standards Compliance                            | IEEE 802.3 Ethernet<br>IEEE 802.3u Fast Ethernet<br>IEEE 802.3x Flow Control<br>IEEE 802.3af Power over Ethernet<br>IEEE 802.3at Power over Ethernet Plus |
| Stability Testing                               | IEC 60068-2-32 (Free fall)<br>IEC 60068-2-27 (Shock)<br>IEC 60068-2-6 (Vibration)   |
| Temperature                                     | Operating: -20~55 degrees C<br>Storage: -40~75 degrees C  |
| Humidity  | Operating: 5~90%, (non-condensing)<br>Storage: 5~90% (non-condensing)   |
| Regulatory Compliance                           | FCC Class A, CE Class A   |

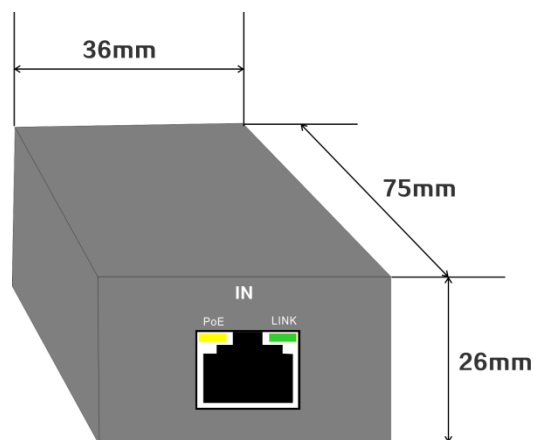
# PoE-EX01

1 Channel 10/100M PoE Extender

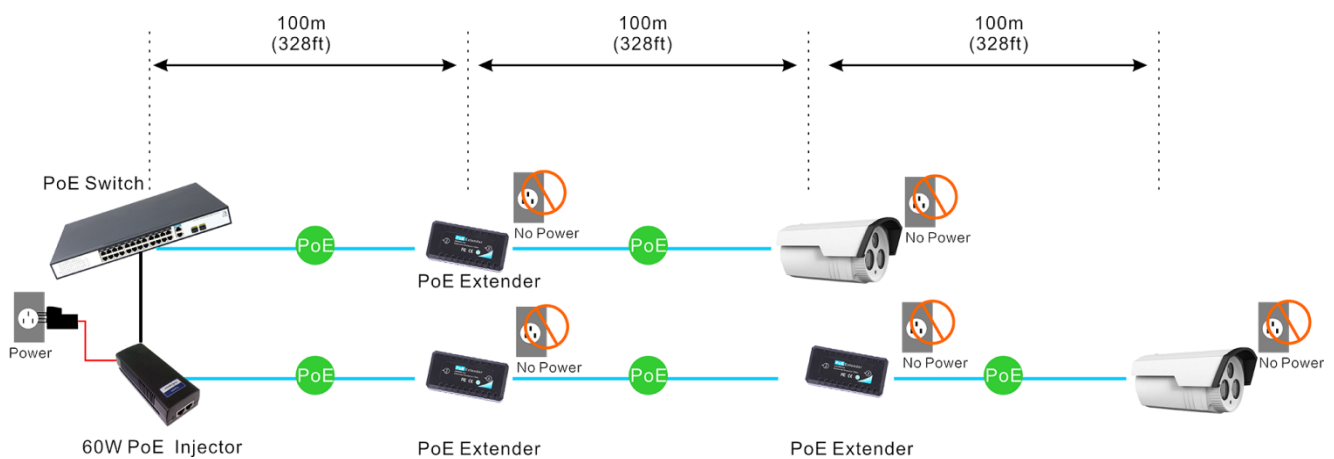
## Interfaces



## Structure Diagrams



## Applications



## Ordering Information

PoE-EX01

1 Channel 10/100Mbps PoE Extender