



## Single port Ultra High Power Gigabit PoE Midspan Injector



PSE102-GE-60W



### Key Features:

**Ports:** Provide 2\*10/100/1000Mbps Ethernet ports

**PoE Standard:** IEEE802.3af/at/bt Power over Ethernet (PoE) Compliant

**Total Power:** Total power budget of 65W for all single PoE ports

**Self-adaption:** RJ45 port supports 10/100/1000Mbps Auto MDI/MDIX

**Wide Application:** Designed for Wifi AP and IP Security camera. VoIP etc

**Surge protection:** Protect the device from lightning surges and others electrical hazards

**Considerate Design:** Exquisite compact size. wall mounted with fanless design

**Easy to use:** Plug and play, No configuration required

### Advanced 802.3bt PoE Network Solution

This high power Ultra PoE midspan Injector is a Single-Port, 802.3bt Power over Ethernet Injector with a maximum of up to 60 watts of power output over Ethernet cables. It is designed specifically to meet the demand for growing higher power required network equipment such as:

- PTZ speed dome camera
- All-in-one touch PC
- Remote digital signage display
- Other network devices that need higher power to work normally

### All-in-One and Compact-size Design

With concepts of "Easy to install", "Plug and Play" and "Simple troubleshooting" for business and home users, the PoE injector is an all-in-one, single-port PoE++ injector with internal power supply. In the compact size housing and it provides one 100-240V AC input socket on its front panel, two LEDs (System POWER and PoE ACTIVE ) on the top side and two RJ45 ports (POE port and LAN port) on the rear panel. Simply plug in the Ethernet cables and power cord, It is ready to provide high-speed network communication and high power PoE+ injector functions simultaneously with no need of software configuration.

### Quick and Easy Cabling Installation for PoE Network Deployment

Complying with 802.3at and 802.3bt PoE++ standards, the POE Injector allows users to flexibly deploy standard and high powered devices to transfer data and power simultaneously through one Ethernet cable for up to 100 meters. It also frees the security IP camera and wireless AP deployment from restrictions of power outlet locations and the additional AC wiring. It thus reduces cables and eliminates the need for electrical outlets on the wall, ceiling or any unreachable place, and most of all, it reduces installation time

# PSE102-GE-60W

2 ports 10/100/1000Mbps High Power PoE Injectors

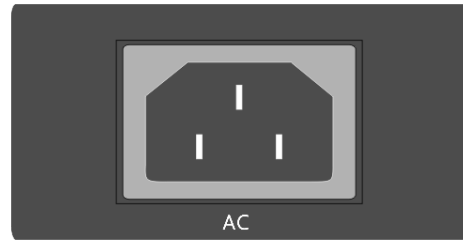
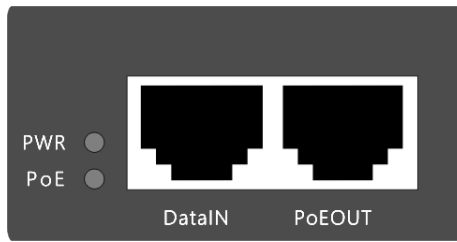
## Technical Datasheet

<b>Model</b>	<b>PSE102-GE-60W</b>
<b>Hardware Specifications</b>	
Interface	"Data" Input Port: 1 x RJ45 STP "PoE (Data + Power)" Output Port: 1 x RJ45 STP AC Input Power Socket: 1
LED Indicator	System: Power x 1 (Green) PoE Port: Active, PoE ready-in-use x 1 (Green)
Network Cable	10BASE-T: 2-pair UTP Cat. 3, 4, 5, up to 100M (328ft) 100BASE-TX: 2-pair UTP Cat. 3, 4, 5, up to 100M (328ft) 1000BASE-T: 4-pair UTP Cat. 5e, 6 up to 1000M (328ft) EIA/TIA-568 100-ohm STP (100m)
Data Rate	10/100/1000Mbps
Unit Output Voltage	DC 48-56V
PoE Supply Type	1245(+) 3678(-)
Power Budget	65 watts max.
Number of Devices that can be powered	1
Power requirement	AC100-240V 50/60Hz
Environment specification	Operating temperature: -20°C~55°C, operating humidity: 5%~95% Storage temperature: -40°C~75°C, storage humidity: 5%~95%
Dimensions (W x D x H)	62*146*41mm
Weight	0.4Kg
<b>Power over Ethernet (PoE) Specifications</b>	
Network standard	IEEE 802.3 10BASE-T Ethernet IEEE 802.3u 100BASE-TX Fast Ethernet IEEE 802.3ab 1000BASE-T Gigabit Ethernet IEEE 802.3af Power over Ethernet IEEE 802.3at High Power over Ethernet Plus IEEE 802.3bt High Power over Ethernet Plus
PoE Standard	IEEE 802.3af Power over Ethernet/PSE IEEE 802.3at Power over Ethernet Plus/PSE IEEE 802.3bt Power over Ethernet
PoE Supply Type	12/45(+),36/78(-)
Safety	FCC Part15 Class A,CE,RoHs

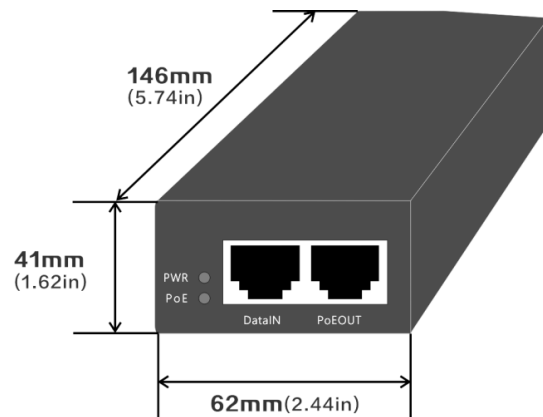
# PSE102-GE-60W

2 ports 10/100/1000Mbps High Power PoE Midspan Injectors

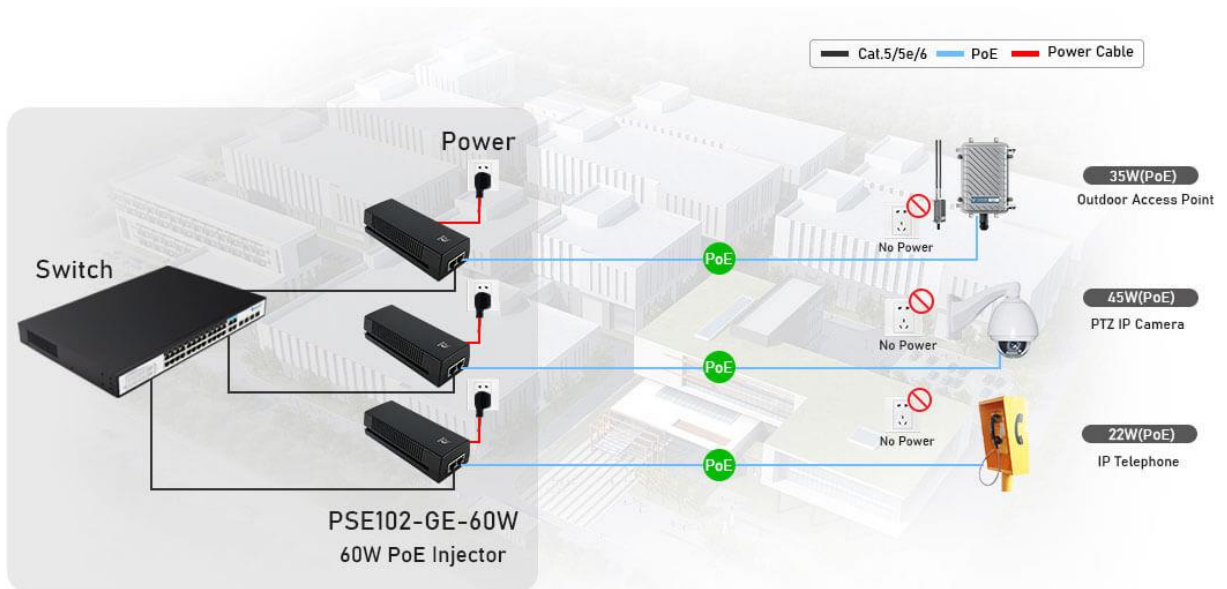
## Interfaces



## Structure Diagrams



## Applications



## Ordering Information

PSE101-GE-60W

2 Ports 10/100/1000Mbps Ultra high power PoE midspan Injectors,65W Power