



4ch 10/100/1000M High Power PoE Extender

Compact Size

UTP Extend -200m

6KV Lightning Protection



PoE-EX04G-60W

Key Features:

- Automatically detects and protects PoE equipments from being damaged by incorrect installation
- Extends the range of PoE to 100 meters (328ft.)
- Power from PoE PSE switch with 60W PoE Input,no local power required
- IEEE 802.3af/at/bt Power over Ethernet compliant
- Plug and Play,No configuration required.
- No external power cable required for installation

Long Distance High Power PoE and Gigabit Data Extension Solution

The POE-EX04G-60W from Benchu Group is a newly designed simple device which extends both the reach of Ethernet Data and IEEE 802.3at / 802.3af Power over Ethernet over the standard 100m (328 ft.) CAT. 5/5e/6 UTP cable to 200m.

Currently, PoE supported networking devices such as PoE IP Cameras, PoE Wireless Access Points and PoE IP Phones have become the mainstream of network deployment because of the convenience of easy installation regardless of additional power supply. However, limited by the UTP cable specifications, only up to 100 meters (328 ft.) cable could be applied for IP-Based and PoE powered devices (PD) installation. Therefore, the POE-EX04G-60W is designed as the repeater to forward both Ethernet data and high power PoE power and thus extend the range of PoE installation. By just plug and play without additional power supply and set up, one single POE-EX04G-60W can increase the PoE range to 200m more. By daisy-chaining multiple PoE-EX04G-60W, it offers you great flexibility to extend the distance of PoE network to triple, quadruple further in length or more.

Surge Protection

This PoE Extender is based on the IEC61643-21:2000 standard,Reaching 6KV surge protection, the PoE ports owns the capacity to keep the PoE Extender from lightning strikes and other electrical surges, offering reliable performance even in some harsh environments.

Easy Cabling Installation

Providing high power PoE and Ethernet data extension ability, the POE-EX04G-60W is an ideal solution for service providers, campuses and public areas networking applications which require PoE deployment of wireless access points, IP-Based surveillance or IP phones in any places. It enables you to centrally manage the power easily, efficiently and cost effectively. The POE-EX04G-60W offers a cost effective and quick solution to doubles the standard range of PoE from 100 to 200 meters

PoE-EX04G-60W

4ch 10/100/1000M PoE Extender

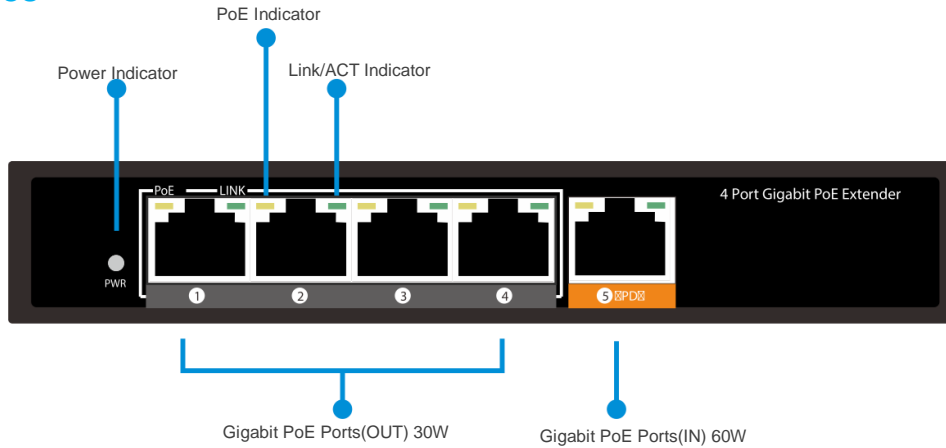
Technical Datasheet

Model	PoE-EX04G-60W
Hardware Specifications	
Interface	PoE in Port: 1 x 10/100/1000BASE-T Ethernet POE PD In PoE out Port: 4x 10/100/1000BASE-T Ethernet POE PSE Out
LED Indicator	Link/ACT
Switch Architecture	Store-and-Forward switch architecture
MAC Address Table	4K MAC address table with auto learning function
Network Cable	UTP cat 5 or abover
Backplane bandwidth	16Gbps
Packet forwarding rate	11.46Mpps
Flow Control	IEEE 802.3x pause frame for full duplex Back pressure for half duplex
ESD Protection	Air 8KV DC Contact 6KV DC
Dimensions (W x D x H)	150 x89 x 28 mm (5.9in x 3.5in x 1.1in)
Weight	0.46kg
Power over Ethernet (PoE) Specifications	
PoE Standard	PoE in Port: IEEE 802.3af/at/bt PoE PD Per PoE out Port: IEEE 802.3af/at PoE PSE
PoE Power	PoE in Port: 48~56V DC, max. 60 watts Per PoE out Port: 48~56V DC, max. 28 watts
Power Pin Assignment	PoE in Port: 1/2/4/5(-), 3/6/7/8(+), Per PoE out Port: 1/2(-), 3/6(+),
Standards Conformance	
Standards Compliance	IEEE 802.3 Ethernet IEEE 802.3u Fast Ethernet IEEE 802.3ab/z Gigabit Ethernet IEEE 802.3x Flow Control IEEE 802.3af Power over Ethernet IEEE 802.3at Power over Ethernet Plus IEEE 802.3bt Power over Ethernet Plus
Stability Testing	IEC 60068-2-32 (Free fall) IEC 60068-2-27 (Shock) IEC 60068-2-6 (Vibration)
Temperature	Operating: -20~55 degrees C Storage: -40~75 degrees C
Humidity	Operating: 5~90%, (non-condensing) Storage: 5~90% (non-condensing)
Regulatory Compliance	FCC Class A, CE Class A

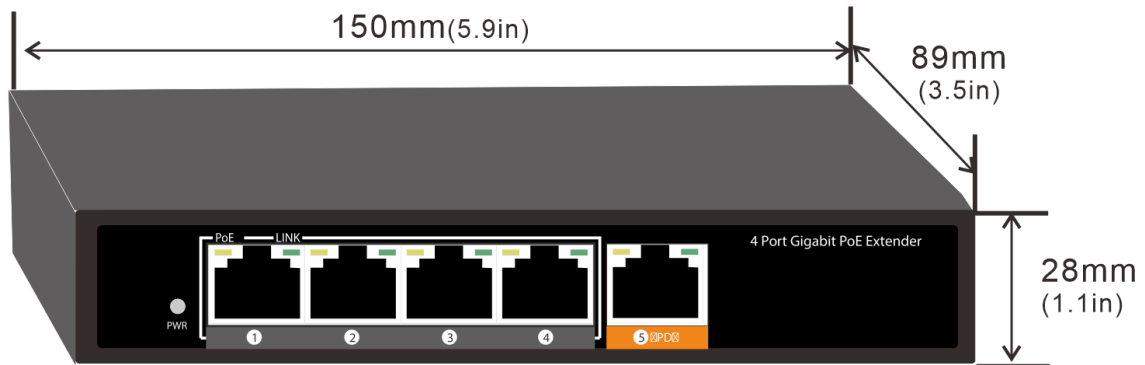
PoE-EX04G-60W

4ch 10/100/1000M PoE Extender

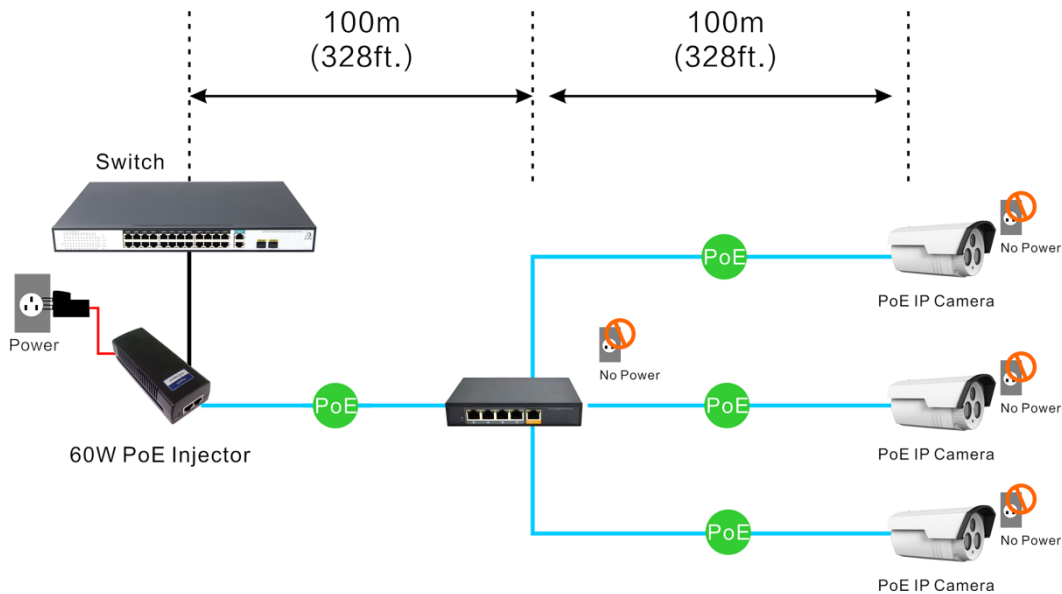
Interfaces



Structure Diagrams



Applications



Ordering Information

PoE-EX04G-60W

4 Ports 10/100/1000Mbps high power PoE Extenders, no local power required